

COMPACT HYDRAMATIC

FOR
2013



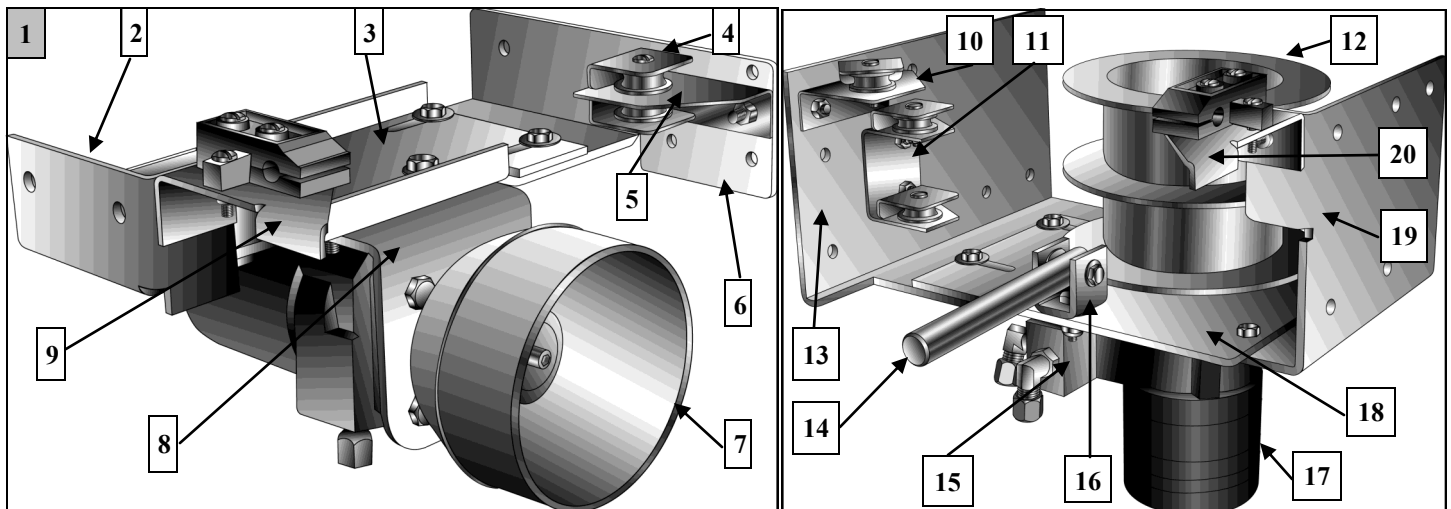
*Exclusive Manufacturer of the Hydramatic
Hydraulic Swimming Pool Covers*

AQUAMATIC COVER SYSTEMS
200 Mayock Rd, Gilroy CA 95020 Ph. 1.800.262.4044 Fax 408.846.1060

www.aquamatic.com

HYDRAULIC COMPACT UNDER (SPLIT DRIVE) UNIT

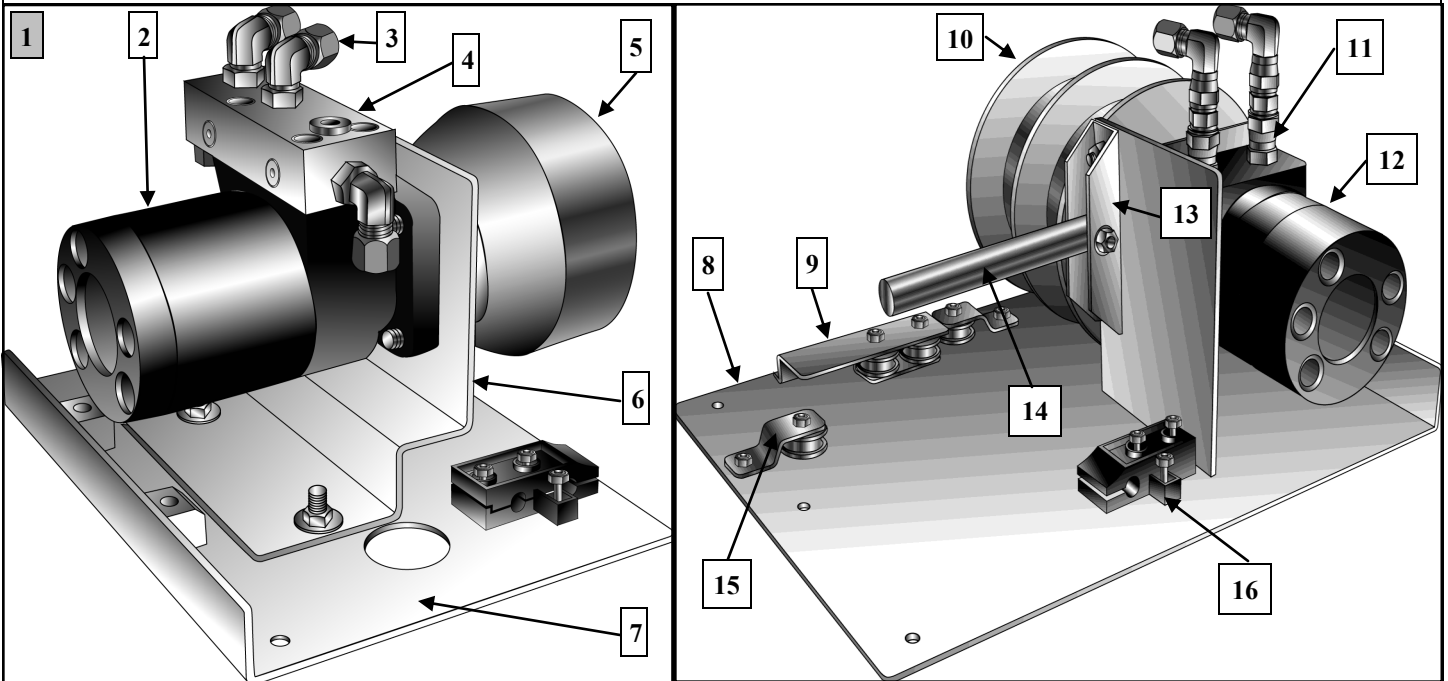
page 1.



ITEM #	PART #	ITEM DESCRIPTION
1	1500CP	UNDER TRACK COMPACT DRIVE UNIT (LEFT) 1501CP (RIGHT)
2	1520CP	WALL MOUNT (FRONT) EXTENDED (LEFT) 1521CP EXTENDED (RIGHT)
3	1503CP	SKEW ADJUSTMENT PLATE (LEFT) ** OR** 1504CP (RIGHT)
4	1528CP	PULLEY COVER
5	1514CP	UNDER COMPACT PULLEY MOUNTING BRACKETS (LEFT / RIGHT)
6	1507CP	WALL MOUNT (REAR) SKEW SIDE (LEFT)** OR ** 1508CP (RIGHT)
7	1544CP	5" COMPACT DRUM CASTING (DRIVE SIDE)
8	1502CP	UNDER COMPACT DRUM MOTOR MOUNT (SKEW ADJUSTMENT)
9	1532CP	UNDER COMPACT GUIDE BRACKET (RIGHT)
10	1514CP	UNDER COMPACT PULLEY MOUNTING BRACKET (Left) 1515CP (Right)
11	1516CP	UNDER COMPACT PULLEY MOUNTING BRACKET
12	1540CP	COMPACT ROPE REEL (6 1/2" DIA.)
13	1512CP	WALL MOUNT (REAR) LEFT (1512CP) ** OR ** (1513CP) MANIFOLD SIDE
14	1537CP	COMPACT DRUM SHAFT 3/4"
15	1541CP	COMPACT HYDRAULIC MANIFOLD (FOR FLUSH MOUNT TORQ MOTOR)
16	1530CP	UNDER COMPACT DRUM SHAFT BRACKET
17	1543CP	COMPACT #8 TORQ MOTOR (FOR FLUSH MOUNT MANIFOLD)
18	1509CP	UNDER COMPACT ROPE REEL MOTOR MOUNT BOTTOM PLATE
19	1510CP	WALL MOUNT (FRONT) MANIFOLD SIDE (LEFT) 1511CP (RIGHT)
20	1531CP	UNDER COMPACT GUIDE BRACKET (LEFT) 1532 (RIGHT)

HYDRAULIC COMPACT SURFACE MOUNT UNIT

page2.



ITEM #	PART #	ITEM DESCRIPTION
1	1550CP-TR	SURFACE MOUNT COMPACT DRIVE UNIT (RIGHT) **NO LEFT AVAIBLE**
2	1543CP	#8 COMPACT TORQ MOTOR (FOR FLUSH MOUNT MANIFOLD)
3	412H	90 DEGREE MANIFOLD FITTING
4	1541CP	COMPACT HYDRAULIC MANIFOLD (FOR FLUSH MOUNT TORQ MOTOR)
5	1544CP	5" COMPACT DRUM CASTING (DRIVE SIDE)
6	1553CP	TOP COMPACT DRUM MOTOR MOUNT (SKEW ADJUSTMEN) MANIFOLD SIDE
7	1551CP	TOP COMPACT BASE (MANIFOLD SIDE)
8	1552CP	TOP COMPACT BASE (ROPE REEL SIDE)
9	1554CP	TOP COMPACT COMPENSATOR BRACKTET (ROPE REEL SIDE)
10	1540CP	TOP COMPACT ROPE REEL CASTING (6 1/2" DIA.)
11	411H	HYDRAULIC MANIFOLD FITTING (FEMALE)
12	404H	#8 HYDRAULIC TORQ MOTOR
13	1558CP	TOP COMPACT SHAFT BRACKET
14	1537CP	COMPACT DRUM SHAFT 3/4"
15	321H	PULLEY COVER BRACKET
16	1090LP	TOP TRACK GUIDE (LEFT) **OR** 1091RP (RIGHT)